



motoalliance

22000 Industrial Blvd, Rogers, MN 55374

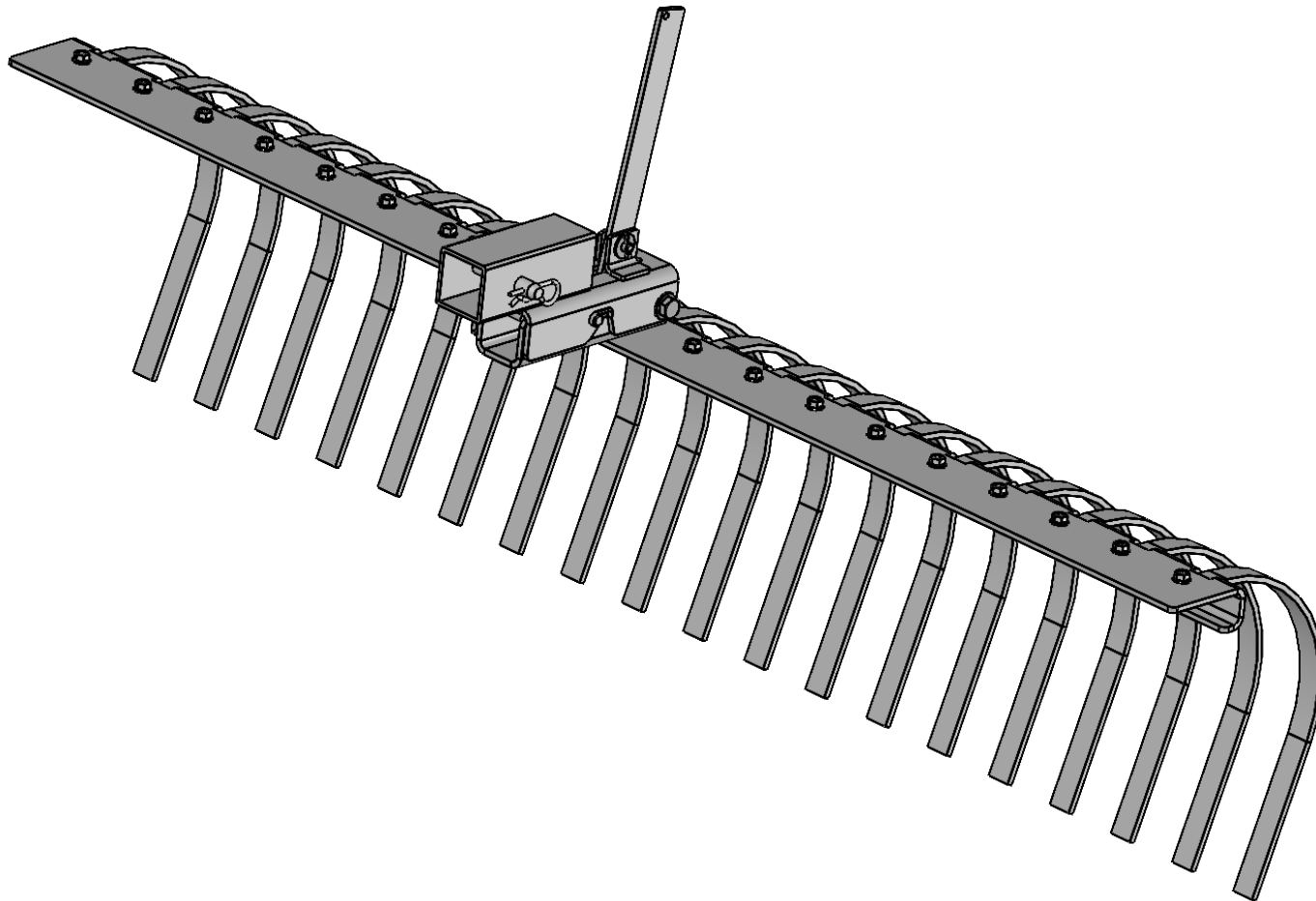
www.motoalliance.com

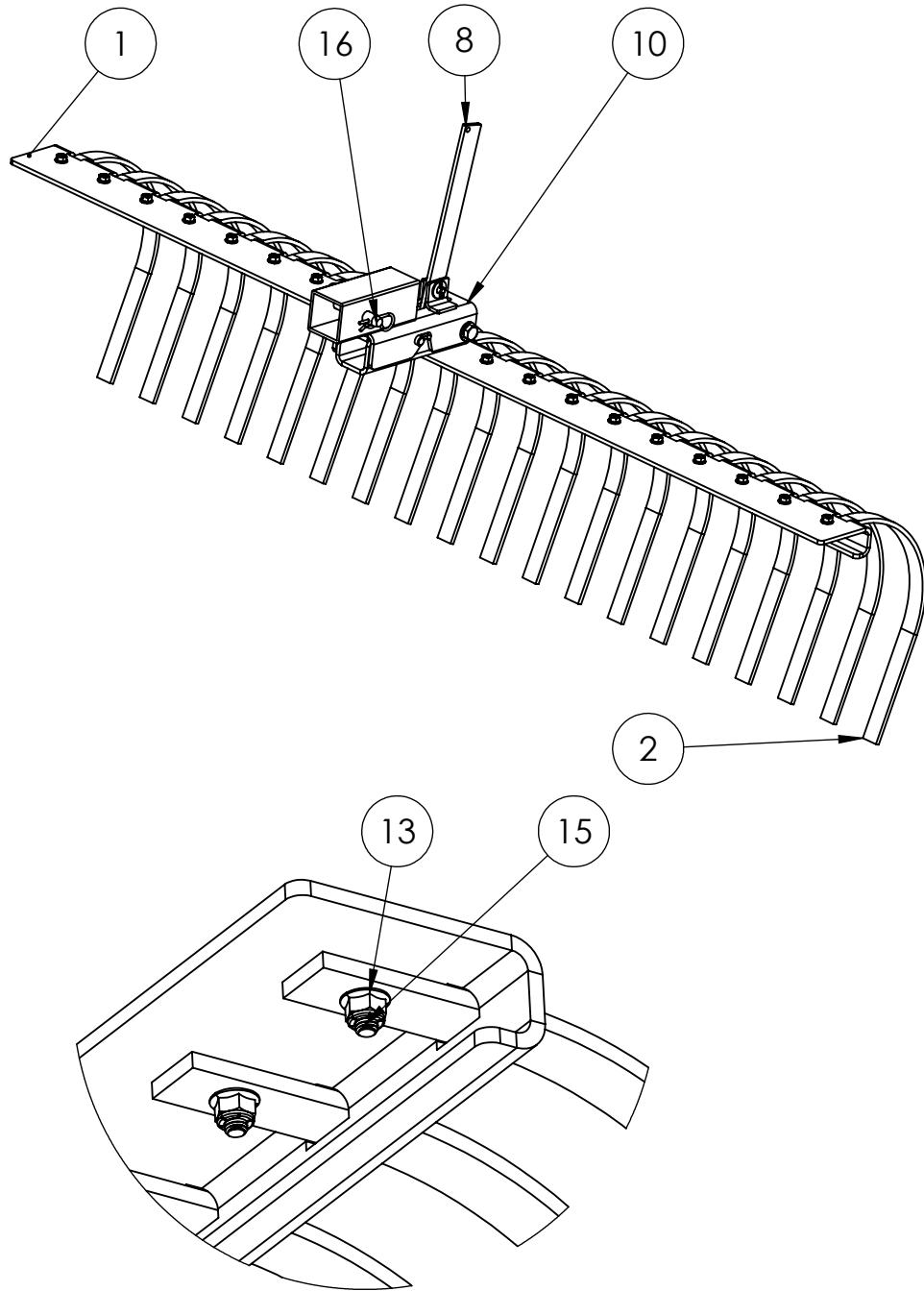
1-866-527-7637

motoinfo@motoalliance.com

IMPACT Pro 62" Landscape Rake - w/Latch IP4456_BK

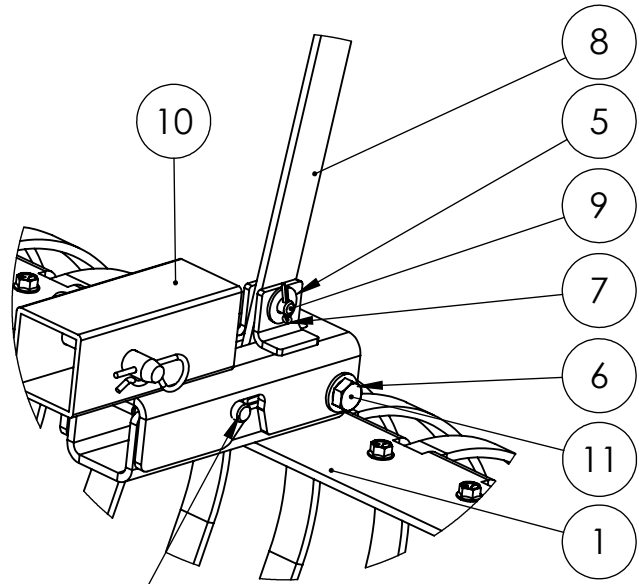
Rev B. 2022. 1



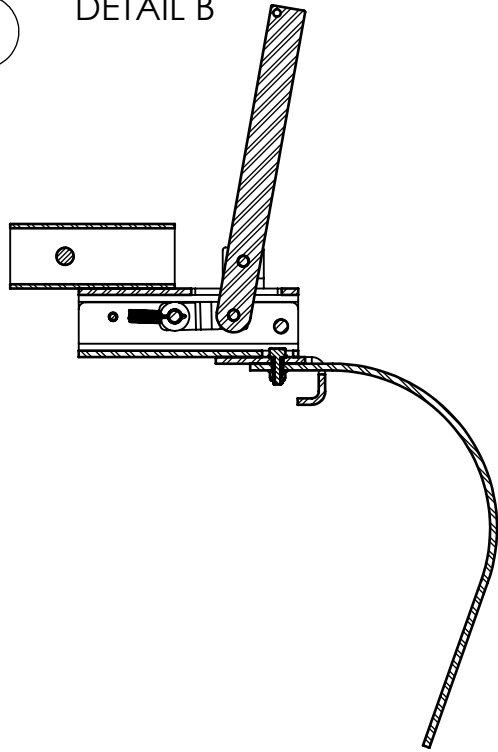


DETAIL A

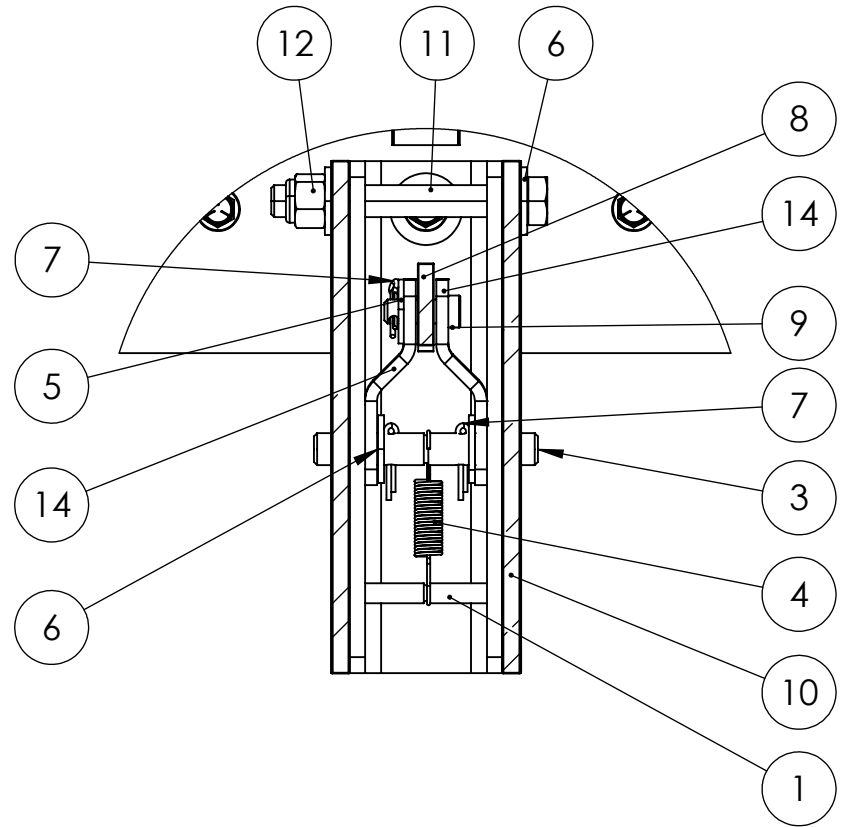
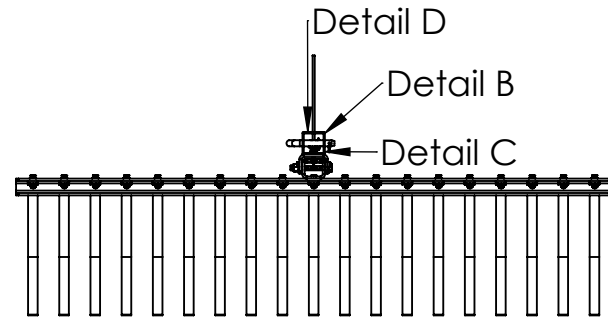
ITEM NO.	DESCRIPTION	QTY.
1	Tine Bar Weldment	1
2	1" X 10" Rake Tine	16
3	Latch Pin	1
4	Tension Spring	1
5	3/8" x 1"OD Flat Washer - Zinc Plated	2
6	1/2" x 1.062" OD Zinc Finish Steel Flat Washer	4
7	Cotter Pin - 1/8" x 1" Zinc Plated	4
8	Latch Release Lever	1
9	3/8" x 1" Long Clevis Pin - Zinc Plated	2
10	Upper Receiver Tipper Bracket	1
11	1/2" - 13 x 4"L UNC Grade 5 Bolt - Zinc Plated	1
12	1/2"-13 Grade 5 Zinc Finish Steel Nylon Insert Lock Nut	1
13	5/16"-18 Grade 5 Zinc Finish Nylon Insert Flange Nut	16
14	Latch pin link	2
15	Zinc-Plated Grade 5 Steel Flanged Hex Head Screws	16
16	5/8" Bent Hitch Pin	1



3
DETAIL B



Detail C



DETAIL D